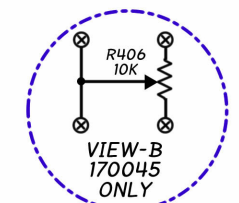
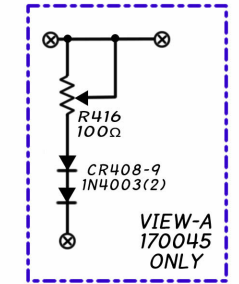
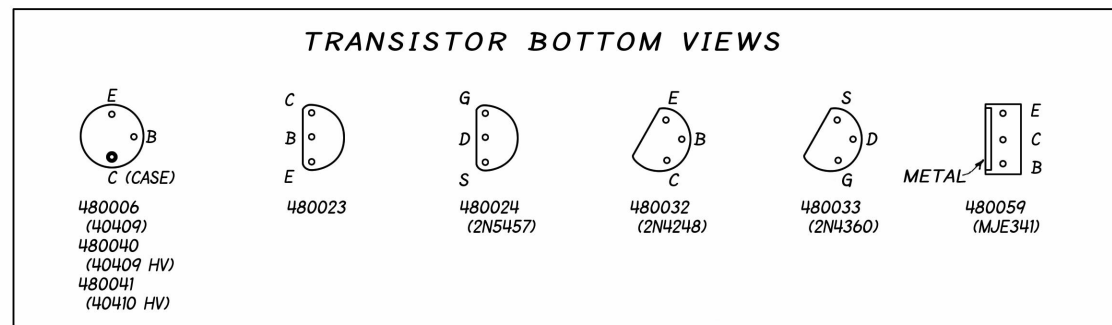
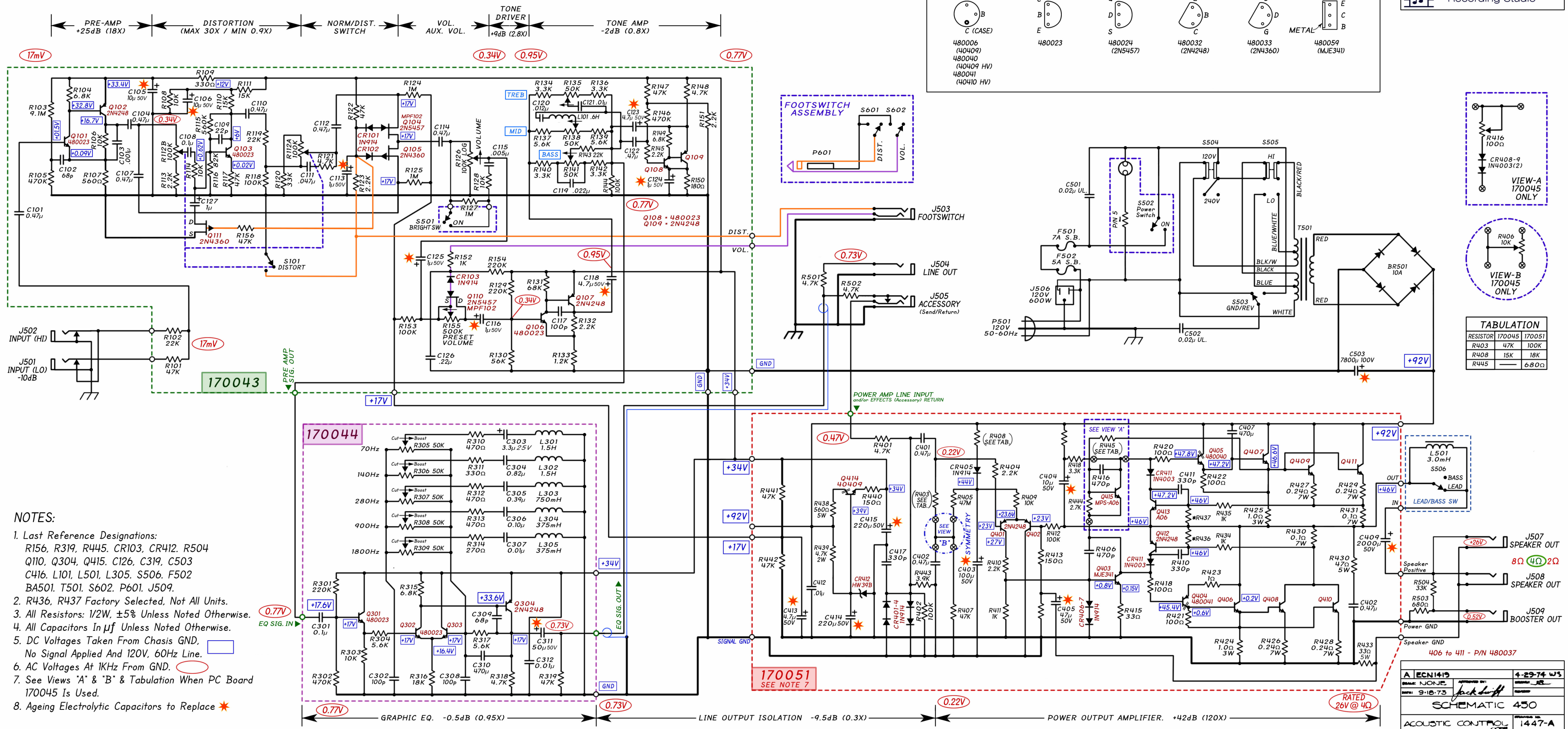


acoustic® 450 - 170 Watt Lead / Bass Guitar Amplifier Circuit Schematics (18/09/1973)

Drawing Revision: 1.7 Date: 2022-10-26

Home Music Recording Studio



TABULATION		
RESISTOR	170045	170051
R403	47K	100K
R408	15K	18K
R445		6.80Ω

- NOTES:**
- Last Reference Designations:
R156, R319, R445, CR103, CR412, R504
Q110, Q304, Q415, C126, C319, C503
C416, L101, L501, L305, S506, F502
BA501, T501, S602, P601, J509.
 - R436, R437 Factory Selected, Not All Units.
 - All Resistors: 1/2W, ±5% Unless Noted Otherwise.
 - All Capacitors In μf Unless Noted Otherwise.
 - DC Voltages Taken From Chasis GND,
No Signal Applied And 120V, 60Hz Line.
 - AC Voltages At 1KHz From GND.
 - See Views "A" & "B" & Tabulation When PC Board
170045 Is Used.
 - Ageing Electrolytic Capacitors to Replace *

A ECN1419	1-29-74 WS
DATE: NONE	APPROVED BY: J.R.
DATE: 9-18-73	DESIGNED BY: Jack Diff
SCHEMATIC 450	
ACOUSTIC CONTROL	1447-A