

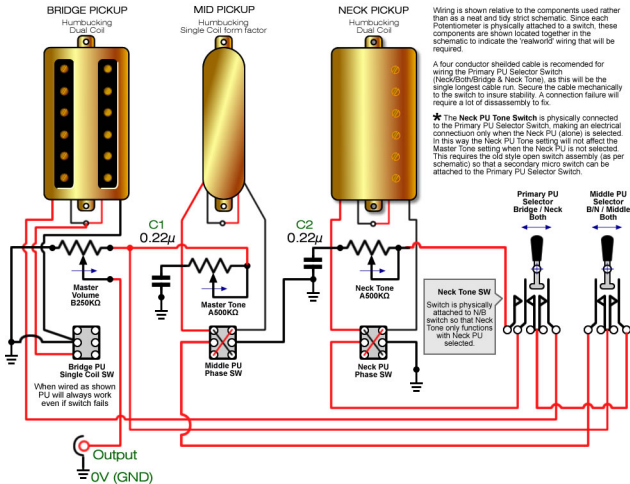
Hollow Body Guitar - Pickup Wiring Mods

For Schematic Diagrams

For Use With PNG Files



Home Music
Recording Studio
Date: 171125



Wiring is shown relative to the components used rather than as a neat and tidy strict schematic. Since each Potentiometer is physically attached to a switch, these components are shown located together in the schematic to indicate the 'realworld' wiring that will be required.

A four conductor shielded cable is recommended for wiring the Primary PU Selector Switch (NeckBoth/Bridge & Neck Tone), as this will be the single longest cable run. Secure the cable mechanically to the switch to insure stability. A connection failure will require a lot of disassembly to fix.

★ The Neck PU Tone Switch is physically connected to the Primary PU Selector Switch, making an electrical connection only when the Neck PU (alone) is selected. In this way the Neck PU Tone setting will not affect the Master Tone setting when the Neck PU is not selected. This requires the old style open switch assembly (as per schematic) so that a secondary micro switch can be attached to the Primary PU Selector Switch.